

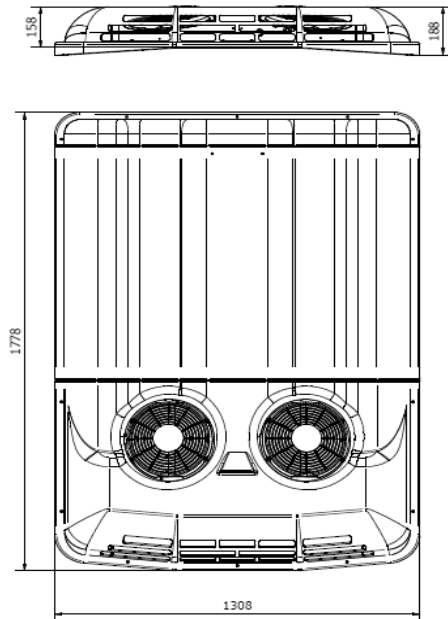


The roof top airconditioning unit uses the latest automotive technology to minimise weight and size while maximising performance.

The light weight modular design allows for easy and effortless installation.

The modular design reduces logistics costs and maximises stock holding to cover an extensive range of capacities.

The durable UV stabilised covers offer good protection against the sun's harmful rays.



TECHNICAL DATA

VOLTAGE	12	V
COOLING CAPACITY	11	kW
AIR FLOW	2722	m ³ /h
CURRENT DRAW	81	A
WEIGHT	49,9	Kg
REFRIGERANT		R134a
BLOWERS	4	EA
FANS	2	EA

ELECTRICAL CONNECTION

		CLR	SIZE
1	BLOWER SPEED 1 (-)	B/W	1.0
2	BLOWER SPEED 2 (-)	W/B	1.0
3	BLOWER SPEED 3 (-)	W	1.0
4	IGNITION (+)	O	0.5
5	COMPRESSOR (+)	G	0.5
6	A/C REQ. (-)	Y	0.5

TUBE CONNECTOR

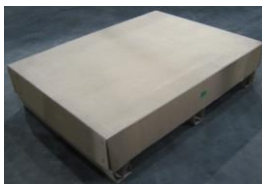
	THREAD	L
SUCT	7/8-14UNF-2A	14
DISCH	3/4-16UNF-2A	11
LIQ	3/4-16UNF-2A	11

GENERAL NOTES:

DESIGNED FOR USE WITH A MIN 200CC COMPRESSOR

SOME ASSEMBLY REQUIRED

SHIPPING DATA:



EVAPORATOR MODULE

	L	B	H
DIMENSIONS(mm)	1370	1020	335

NET WEIGHT 39,4 Kg

CONDENSER MODULE

	L	B	H
DIMENSIONS(mm)	1370	1020	335

NET WEIGHT 24,5 Kg