

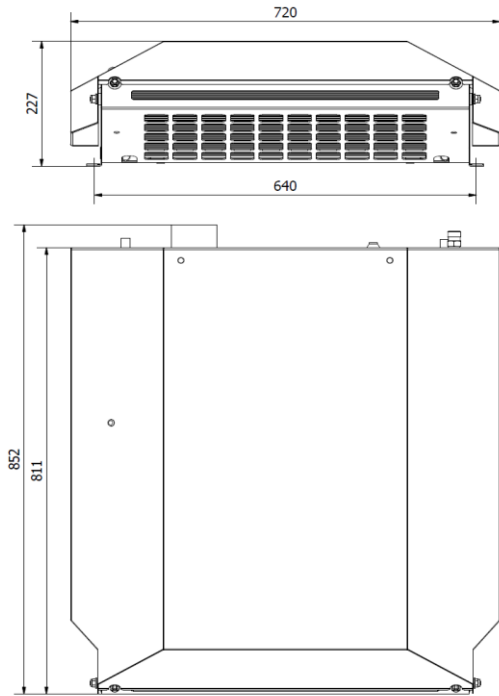


The roof top air-conditioning unit uses the latest automotive technology to minimise weight and size while maximising performance.

The modular design allows for easy and effortless installation.

The roof top design allows fitment across a wide of vehicles and applications.

The durable all steel chassis offers good protection against the day to day rigours of heavy duty plant environments.



TECHNICAL DATA

VOLTAGE	24	V
COOLING CAPACITY	4,6	kW
AIR FLOW	680	m ³ /h
CURRENT DRAW	12,1	A
WEIGHT	50	Kg
REFRIGERANT		R134a
BLOWERS	1	EA
FANS	1	EA

ELECTRICAL CONNECTION

POWER IN +24V	1	CLR	SIZE
CLUTCH OUT +24V	2	LtG	3.0
		Br/W	1.0

NOTE : GROUND THROUGH CHASSIS

TUBE CONNECTOR

	THREAD	L
SUCT	7/8-14UNF-2A	15,7
DISCH	3/4-16UNF-2A	11

GENERAL NOTES:

150-170cc COMPRESSOR RECOMMENDED FOR USE WITH THIS UNIT

SOME ASSEMBLY REQUIRED

MOUNT AND DRIVE NOT SUPPLIED

SHIPPING DATA:

ROOF MOUNT AIR CONDITIONER KIT

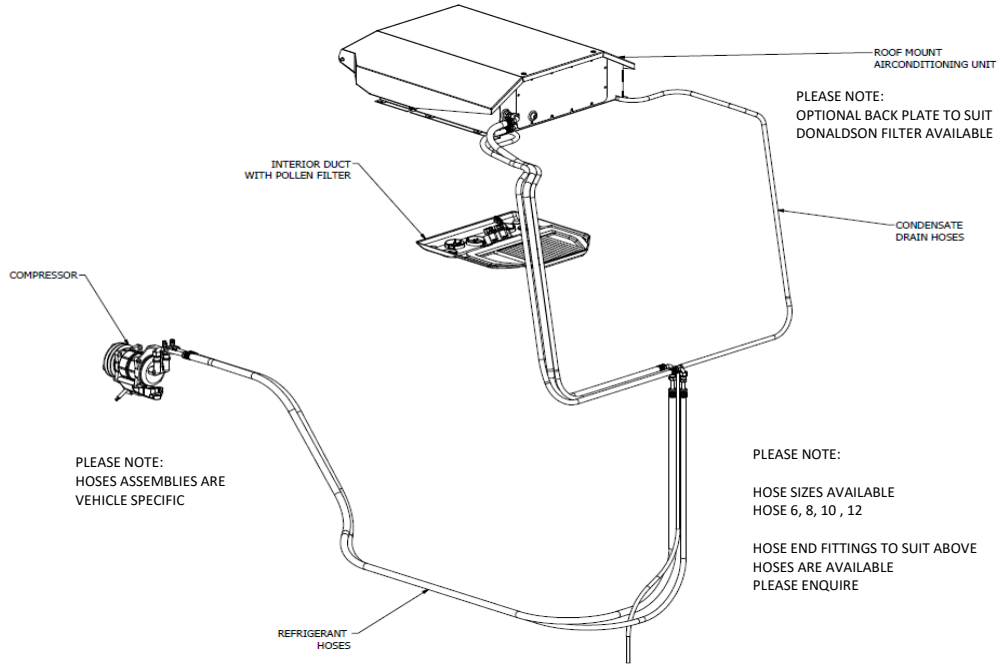
	L	B	H
DIMENSIONS(mm)	1140	740	430
NET WEIGHT	54 Kg		



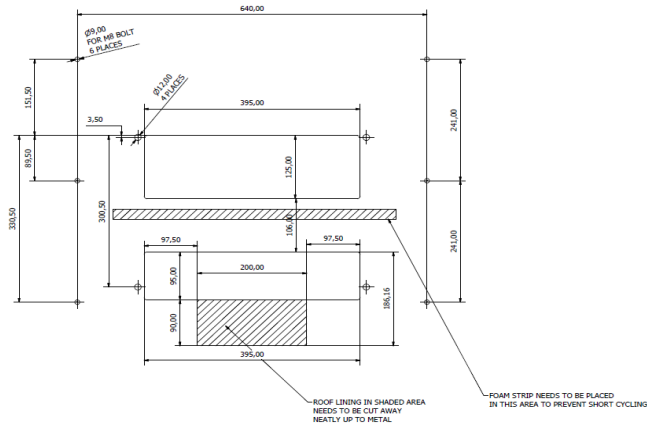
Universal Roof Top Aircon Unit

1179-6013-01 ROOF TOP UNIT

GENERAL LAYOUT OF TYPICAL INSTALLATION - HOSES (NOT SUPPLIED)



ROOF REQUIRES DRILLING AND CUTTING AND STUDS REQUIRE MOUNTING (NOT SUPPLIED)



DUCT FOR INTERIOR SUPPLIED

